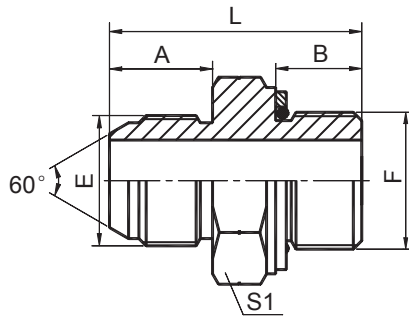


过渡接头 ADAPTER



1SG

日本英管外螺纹 60° 外锥 / 英管外螺纹 O 形圈
 JIS GAS MALE 60° CONE / BSP MALE O-RING

代号 PART NO.	螺 纹 THREAD		O 形圈 O-RING		尺 寸 DIMENSIONS				
	E	F		F 端	A	B	L	S1	
1SG-02	G1/8"X28	G1/8"X28		O011	12	9.5	29	14	
1SG-04	G1/4"X19	G1/4"X19		O111	16	11	33.5	19	
1SG-06	G3/8"X19	G3/8"X19		O113	18	11.5	37.5	22	
1SG-08	G1/2"X14	G1/2"X14		O115	20	14	44	27	
1SG-12	G3/4"X14	G3/4"X14		O119	22	15.5	48.5	32	
1SG-16	G1"X11	G1"X11		O217	24	18	55	41	
1SG-20	G1.1/4"X11	G1.1/4"X11		O222	27	20	59	50	
1SG-24	G1.1/2"X11	G1.1/2"X11		O224	27	21.5	62.5	55	

注：F 端与 DIN 3852 油口相配。 F end is connected with DIN 3852 port.